

CD-100

CD-100 Series

60mm width

Enhanced Performance

The powerful CCD that you image you to have



1. Excellent value for popular barcode reading

With the rapidly growing and wide application for barcode symbology application, Birch released the new CCD scanner for your most barcode reading including EAN 128 code and GS1 data bar. CD-100 supports 60mm scanning distance to read the barcode much more easily without contact.

2. Multiple 3-in-1 interface in one scanner

CD-100 is built with Keyboard, RS232 and USB interface. It supports use replaceable interface cable by RJ45 phone jack; different interface can be interchangeable just by changing cable. It is simplified installation and integration and good to lessen your inventory load.

It supports to connect RS232 interface directly to your PC by Pin 9 with 5V power without external power adapter.

3. User Friendly and PnP design

The Intuitive scanning and plug and play design can be used directly with your computer without additional device. Furthermore, the ergonomic and light weight body offers maximum comfort for every day use.

Ordering Information:

- CD-100BM: 60mm CCD scanner, Black, PS2
- CD-100DM: 60mm CCD scanner, Beige/Grey, PS2
- CD-100BR: 60mm CCD scanner, Black, RS232
- CD-100DR: 60mm CCD scanner, Beige/Grey, RS232
- CD-100BU: 60mm CCD scanner, Black, USB
- CD-100DU: 60mm CCD scanner, Beige/Grey, USB

4. Built with professional decoder

The decoder of CD-100 covers lots of settings for most environments and supports complete data formatting and editing capabilities



Technical Specifications

Model CD-100 series

Optical

Width of Window	60mm
Light Source	RED LED 632 nm
Sensor	Linear CCD Sensor (2500 pixel)
Scanning Speed	100 scans / sec \pm 10%
Depth of Field	60mm reading distance @ 20mil, PCS 90%
Ambient Light	5000 Lux Max. (Fluorescent lamp) ; 1500 Lux Max. (Direct sun light)

Reading Performance

Symbologies	All UPC/EAN/JAN, EAN128 Code, Code 39, Code 39 Full ASCII, Code32 / Italian Pharmacy, Code 128, CODABAR/NW7, Interleave 25, Industrial 25, Matrix 25, MSI/PLESSEY, Telepen, Code 93, Code 11, China Postage, Code 26, LCD25, GS1 DataBar
Resolution	5mil
PSC	0.6 PCS Value

Electrical

Interface	RS232, KB, USB
Connector	RJ 45C 10Pins
Voltage	DC +5V \pm 5%
Operating Current	70 – 80mA
Standby Current	20mA

Environment

Operating Temperature	0°C to 50°C (32°F to 122°F)
Storage Temperature	-20°C to 70°C (-4°F to 158°F)
Relative Humidity	20% to 95% (Non-condensing)

Physical

Material	ABS Plastic
Weight	Approx. 120 g (4. 23 oz.) without cable
Dimension	179 x 81 x 63.5 mm

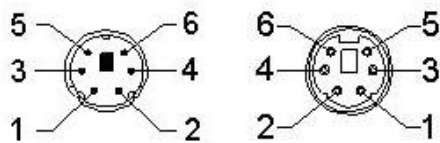
Durability

Drop test	40 inch (100 cm) Drop on Concrete Surface
Life Time	Light Source: 40,000 hours; Trigger Switch: 1,000,000 times; MTBF: 24,000 hours

PIN ASSIGNMENTS

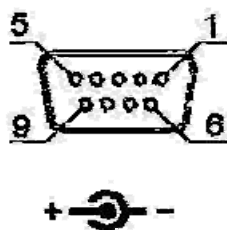
Keyboard interface

Mini DIN 6 MALE		Mini DIN 6 FEMALE	
Pin No.	Function	Pin No.	Function
1	HOST DATA	1	KB DATA
3	GND	3	GND
4	Vcc (+5V)	4	Vcc (+5V)
5	HOST CLK	5	KB CLK



RS-232 interface

DB 9 Female	
Pin No.	Function
2	TXD
3	RXD
5	GND
7	CTS
8	RTS
9	Vcc/+5V
Power Lead	Vcc/+5V

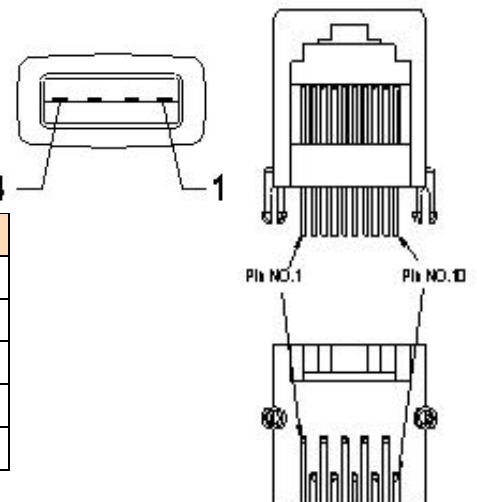


USB interface

USB A Type Male	
Pin No.	Function
1	Vcc
2	D-
3	D+
4	GND

Decoder Data Output (Type RJ45 10P)

Pin No.	Function	Pin No.	Function
1	RTS	6	KB CLK
2	HOST DATA	7	TXD
3	GND	8	KB DATA
4	HOST CLK	9	RXD
5	Vcc (+5V)	10	CTS



Contact us for details

BIRCH[®]
BIRCH TECHNOLOGY INC

Birch is a trademark of Birch Technology U.S.A. Inc
All other products, brands or companies are trademarks or registered trademarks of their respective companies.

Specifications are subject to change without prior notice
www.aparaturafiscala.ro