

RETAIL WEIGHING SOLUTION™



Dual interval technology



Client view pole display



Membrane key pad

ER^{JR} SERIES

Price Computing Scale

ER^{JR} is the best choice if you seek for economic retail weighing solution with high efficiency

- Three high legible LCD displays
- Stainless-steel platter



CAS

ER^{JR} SERIES | Price Computing Scale

TOTAL WEIGHING SOLUTION™



SPECIFICATIONS

| Model | ER ^{JR} SERIES | | |
|-----------------------|---------------------------------------|--------|---------|
| Capacity (kg) | 3/6 | 6/15 | 15/30 |
| Readability (g) | 1/2 | 2/5 | 5/10 |
| Maximum Tare (kg) | -2.999 | -5.998 | -14.995 |
| Internal Resolution | 1/60,000 | | |
| External resolution | 1/3,000 (Dual Interval) | | |
| Display Digit | 6/6/6 (Weight/Unit Price/Total Price) | | |
| Display type | LCD | | |
| Operation Temperature | -10°C ~ 40°C | | |
| Power | Rechargeable Battery, 12V DC Adapter | | |
| Battery Life | 180hrs (without backlight) | | |
| Platter Size (mm) | 290(W) x 209(D) | | |
| Dimensions (mm) | 304(W) x 324(D) x 112(H) | | |
| Product Weight (kg) | 3.5 | | |

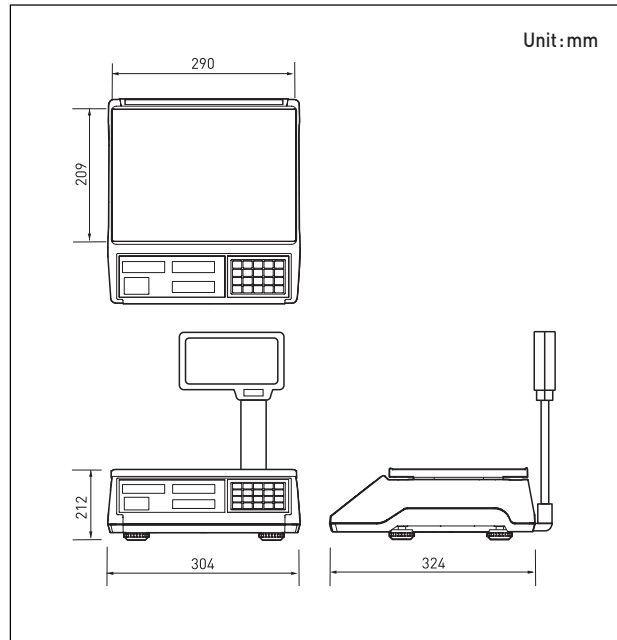
FEATURES

- 4 direct PLUs memory function
*PLU (Price-Look-Up) function: Preset keys for frequent transaction items and its price. It makes your business operation more convenient
- Adopted dual interval technology for more accuracy
- Three high legible LCD displays with backlight
- Membrane keypad
- Daily total function
- Calculation function
- Rechargeable battery operation
- Auto power-off function

OPTIONS

- Client view pole display
- Dust protection cover
- Backlight

DIMENSIONS



CAS

CAS BLDG., # 440-1, SUNGNAE-DONG,
GANGDONG-GU, SEOUL, KOREA

TEL_ 82 2 2225 3500

FAX_ 82 2 475 4668

<http://www.globalcas.com>

Specifications are subject to change for improvement without prior notice.