



# Aviator<sup>®</sup> 3000

Price Computing Retail Scale



## ***Simplicity and Enhanced Technology in One Price Computing Scale***

Aviator 3000 merges simplicity of use with important technology to create a scale that meets all of the needs of small retail businesses. This scale meets the unmet needs of businesses that require high performance at an economical price. Aviator 3000 provides durable, flexible, fast, and accurate operation for all the price-computing weighing needs of retail businesses, from produce stores, to candy shops, bakeries, and more.

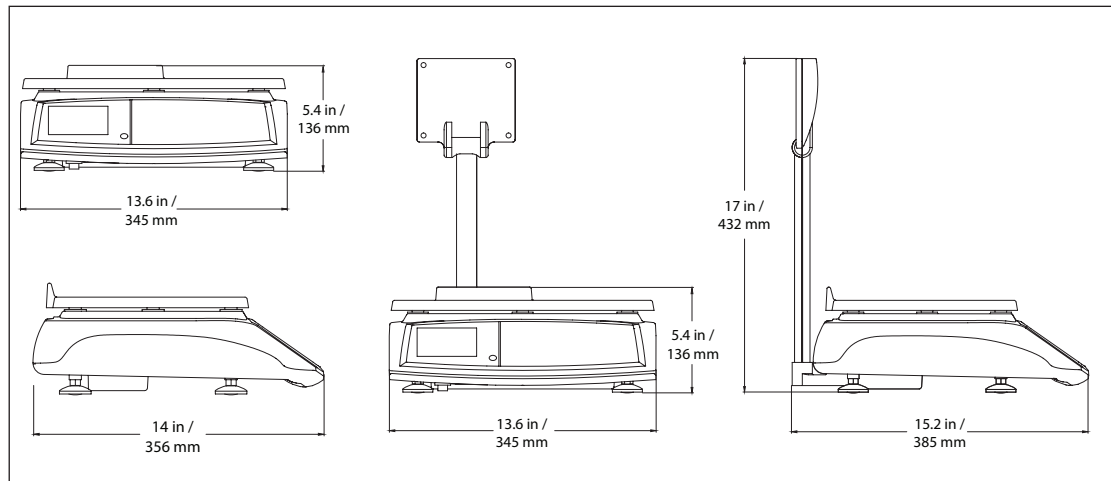
### ***Standard Features Include:***

- **Memory Capabilities Provide a Simple User Experience**—With 100 PLU memories and 24-32 preset-key operations, Aviator 3000's memory capabilities simplify the operation of many common functions down to one or two button presses, speeding up customer service while reducing errors.
- **Multiple Power Options Support Portable Use**—With the option of powering the scale through an AC adapter or with 6 D-cell (LR20) alkaline / NiMH rechargeable batteries, Aviator 3000 provides unrestricted operation anywhere you need it.
- **RS232 Facilitates Information Flow Between Aviator 3000 and POS Systems**—The standard RS232 can connect the scale to ECR and POS systems, creating a direct transfer of data from the scale in order to reduce errors from manually entering information.

# Aviator<sup>®</sup> 3000 Price Computing Retail Scale

Model	A32P3 A32P3T	A32P6 A32P6T	A32P15 A32P15T	A32P30 A32P30T
Capacity × Readability	3 kg × 1 g	6 kg × 2 g	15 kg × 5 g	30 kg × 10 g
Weighing Units	kg			
Weighing Function	Zero, Tare, 100g, Change, by-Count Pricing, Pre-Pack Mode*			
Construction	High-grade polymer housing with removable stainless steel platform			
Display	Backlit LCD, 7-segment, 0.55 in / 13.5 mm high characters; Front and rear: Weight, Unit Price, Total Price			
Keyboard	Numeric, 32-key tactile membrane switch with key-press beeper			
Preset Keys	12-16 keys, every key can store up to 2 PLU's			
PLU Quantity	100			
Zero Range	At power-on: ±10% / keyboard: ±2% full scale capacity			
Tare Range	To full capacity by subtraction			
Safe Overload Capacity	150% of capacity			
Communication	RJ45-RS232			
Power	12V DC 0.84A, AC Universal adapter (100 - 240V AC / 50 -60Hz) included 6 standard alkaline or NiMH rechargeable D-cell (LR20) batteries (not included)			
Typical Battery Life	Up to 70 hours continuous use (D-cell)			
Operating Temperature Range	-10°C to 40°C, 85% relative humidity non-condensing			
Storage Temperature Range	-25°C to 50°C, 85% relative humidity non-condensing			
Platform Size	242 × 342 mm			
Scale Dimensions (W × D × H)	Compact: 345 × 356 × 136 mm / Tower: 345 × 385 × 432 mm			
Shipping Dimensions (W × D × H)	450 × 420 × 235 mm			
Net Weight	Compact: 3.5 kg / Tower: 4.1 kg			
Shipping Weight	Compact: 5.5 kg / Tower: 6.1 kg			

## Outline Dimensions



## Other Standard Features and Equipment

- **Application Modes:** Power saving mode, Price Computing, Tare, PLU, 100 g\*, Accumulation\*, Hold\*, Change\*
- **Additional Features:** Tower version (A32PxxT model) to adapt all type of counters

## Compliance

- **Metrology:** OIML R76-1:1992 (R76/1992-NL1-14.12); EN45501:1992 (T6947) – Class III 3000e
- **Product Safety:** UL 60950-1, 1st Edition; CSA C22.2 No. 60950-1-03, 1st Edition; EN 60950-1:2006 +A11:2009 +A1:2010 +A12:2011
- **Electromagnetic Compatibility:** EN61326-1:2006 – Class B emission, Basic immunity
- **Others:** WEEE/RoHS

## Accessories

Rechargeable Battery, set of 6 NiMH .....	72151831
Pan, Rectangle, Deep .....	72247115
Pan, Full Stainless Steel, A32 .....	30134876
Cable, RJ45-RS232, A32P .....	30134878

\*Not available for all countries

**OHAUS Europe GmbH**  
Im Langacher 44  
8606 Greifensee  
Switzerland

e-mail: [ssc@ohaus.com](mailto:ssc@ohaus.com)  
Tel: 0041 22 567 53 19  
e-mail: [tsc@ohaus.com](mailto:tsc@ohaus.com)  
Tel: 0041 22 567 53 20

**www.ohaus.com**  
With offices throughout Europe,  
Asia, and Latin America

**ISO 9001:2008**  
Registered Quality  
Management System

