

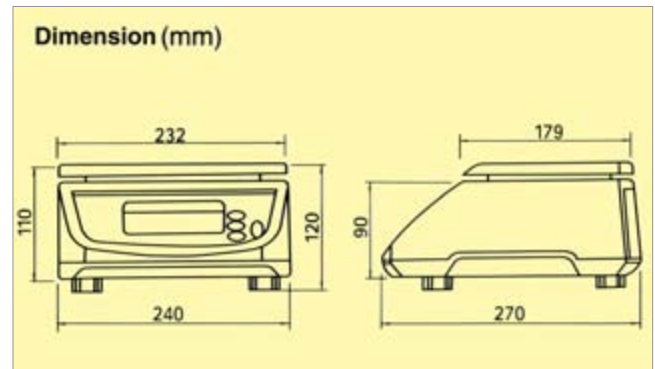
DS-500 Series Weighing Scale

Packed with user-friendly features for perfect weighing operations



Specifications

Capacity	1.5Kg	3Kg	6Kg	15Kg	30Kg
	0.5g	1g	2g	5g	10g
Weight display	5 digits				
Power source	DC6V (4x C size battery)				
Power consumption	0.05W				
Operating temperature	0°C~35°C				
Operating humidity	15%~85% RH(non-condensing)				
Dimensions	240(W) x 270(L) x 120(H)mm				
Platter size	232(W) x 179(L)mm				
Net weight	2.2Kg(with battery)				



Thank you to our loyal customers for their continued support